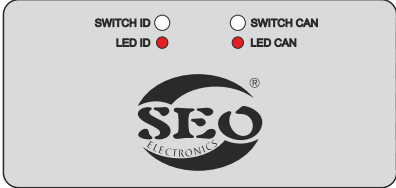


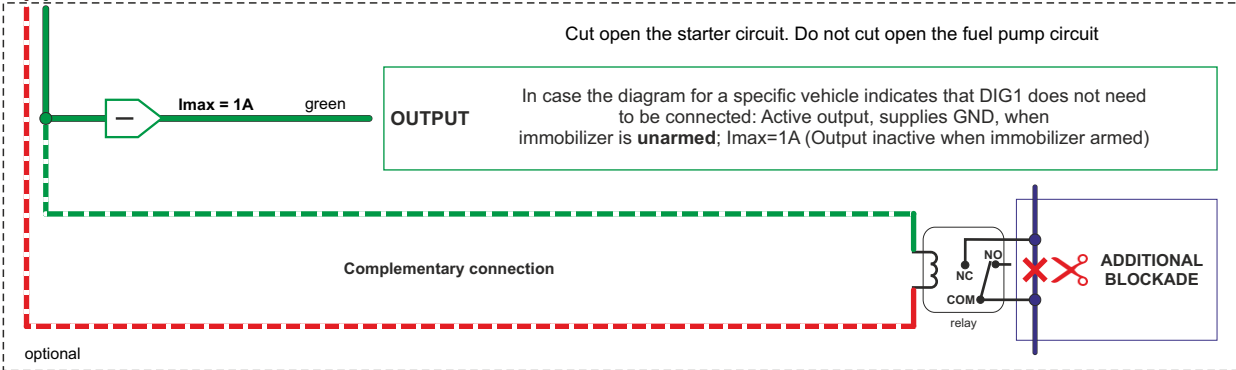
PIN4 (UART Tx)
are used to update the software

53mm x 21mm x 7mm



PCB U335

- INPUT** (brown) After giving low state (e.g. from GPS/GSM) blocks the engine with priority
- CAN1-H** (brown/white) Connect to 2-wire CAN bus CAN-H (see certain car's connection diagram)
- CAN1-L** (brown) Connect to 2-wire CAN bus CAN-L (see certain car's connection diagram)
- LIN1** (yellow) Connect to 1-wire CAN bus (see certain car's connection diagram)
- CAN2-H** (green/white) Connect to 2-wire CAN bus CAN-H (see certain car's connection diagram)
- CAN2-L** (green) Connect to 2-wire CAN bus CAN-L (see certain car's connection diagram)
- GROUND** (black) Module power supply
- +12V** (red) Module power supply



OR

