

See example connection diagrams for a specific car (output triggered by +)

See example connection diagrams for a specific car (output triggered by +)

See example connection diagrams for a specific car (output triggered by -)

See example connection diagrams for a specific car (output supplies -)

WARNING:

FUNCTIONS OF THE ABOVE WIRES DEPEND ON THE PROGRAM NUMBER USED

Brand: **SEO CAR ALARM**

Model: **PERFECT**

Year: **04** →

rev00

Alarm program (code 3368) 27.03.2007

From 01.09.2017, all modules have 5-digit program numbers

Changed blinking-out CAN BUS connection status:

After showing 5 digits of the program number, the module will blink-out connection status of 6 CANs,

Number of LED blinks for each CAN BUS:

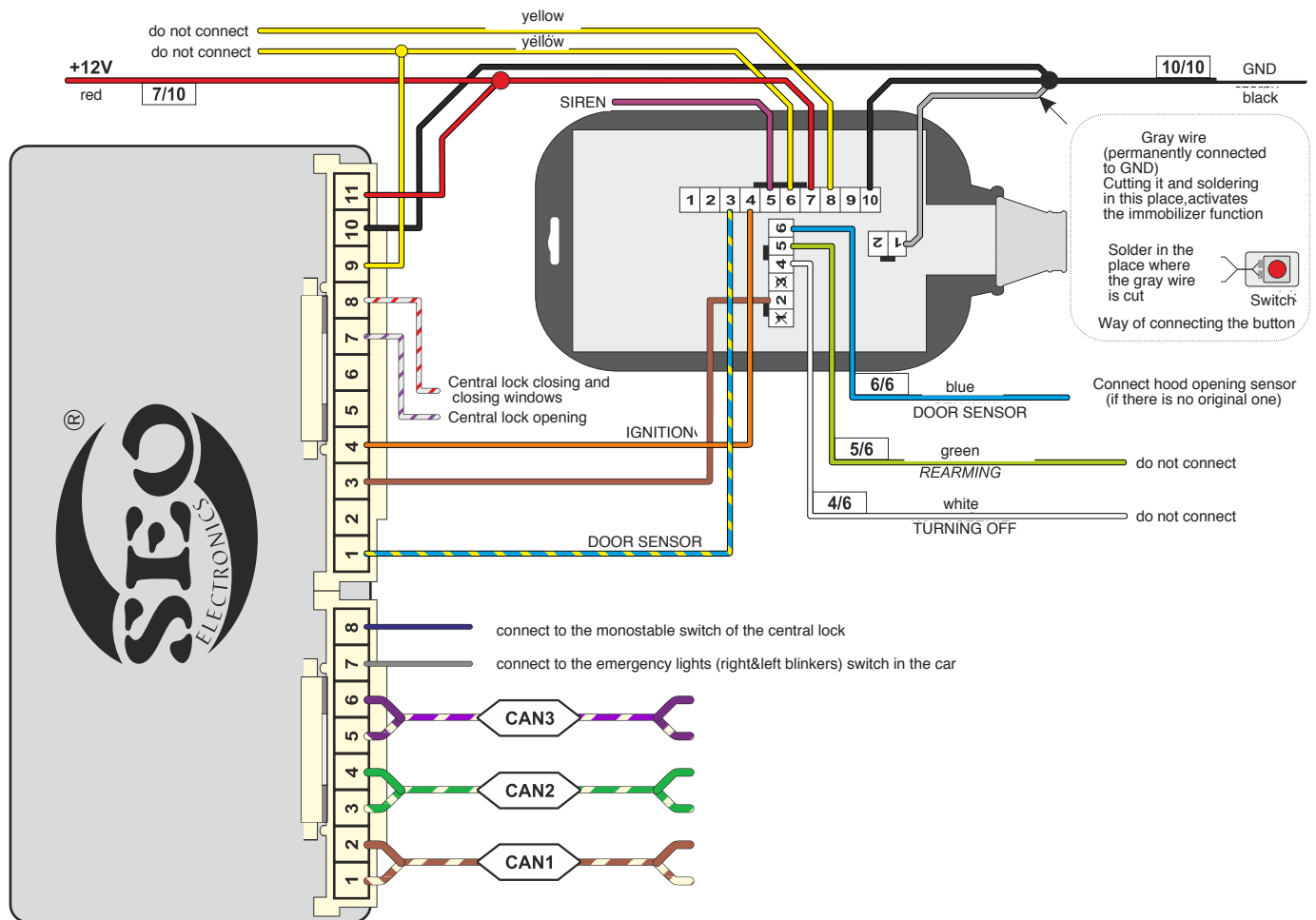
- 1 blink - CAN has already been connected but now it is not receiving any data;
- 2 blinks - CAN is connected and is receiving data at the moment;
- 3 blinks - CAN disconnected, but requires connection;
- 4 blinks - CAN not supported, no connection required.

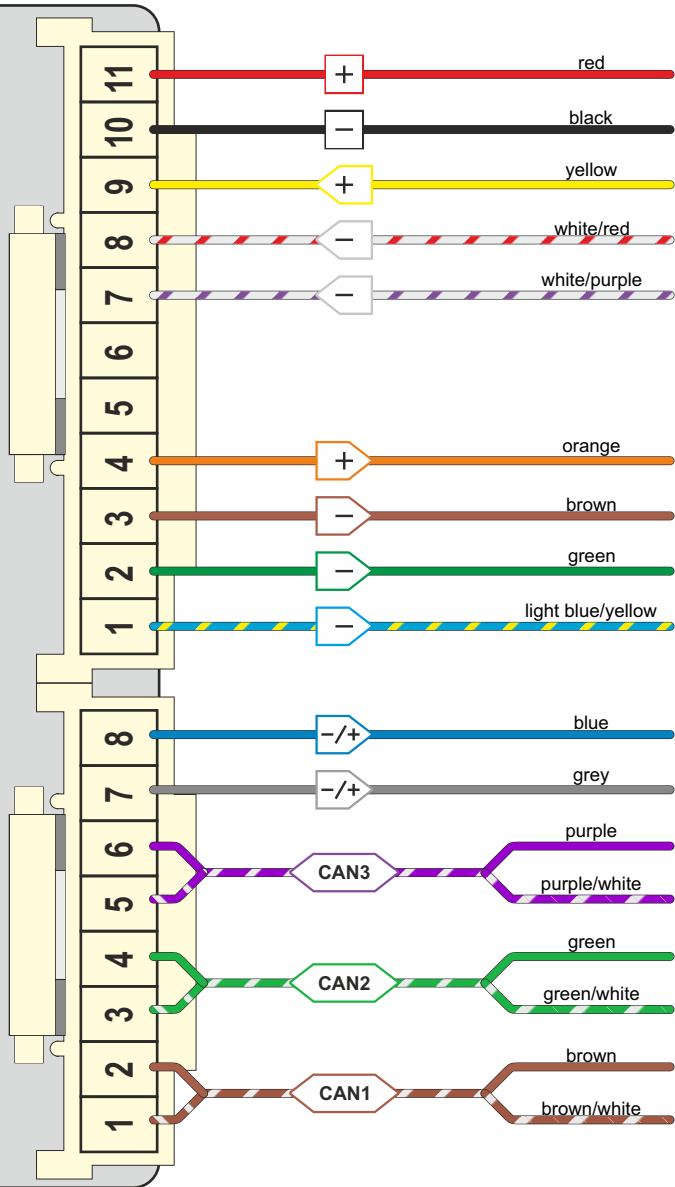
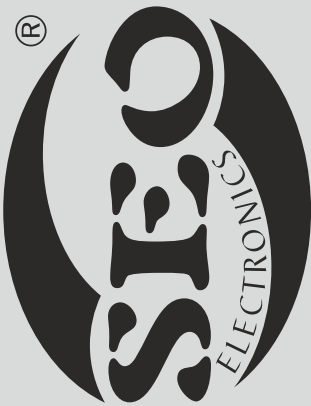
Changing the program number:

Press and hold the button until the LED starts to blink, then release the button; the LED will start counting (from 1 to 9) to indicate the first of five digits of the Program number; after the right number of blinks, hold down the button until the LED starts to blink again, then release the button. Program the next digits of the Program number in the same way. The LED will blink 10 times after completing programming successfully. Then the main unit will restart, which will be signaled by a double blink of the LED

Checking the program number:

Press the button briefly. Initially the LED of the main unit will blink out 5-digit of the pre-set Program number and then the connection status of the connected CAN BUSES





PCB U193

+12V Power	red (+)
GROUND Power	black (-)
Input that controls blinkers - performed by providing positive impulses.	yellow (+)
Input that controls central lock closing and close windows - performed by providing ground impulses	white/red (-)
Input that controls central lock opening - performed by providing ground impulses	white/purple (-)

Ignition - positive signal appears while the ignition is turned on (signal does not disappear when engine is starting)	orange (+)
Remote - ground impulse appears while the switch on / off / open trunk is pressed with the factory remote control. Connect to adaptative security system (set program nr 17(code3368) or to car alarm system).	brown (-)
Factory alarm ++ - gives ground when factory alarm/siren is activated (signal associated with factory alarm sensors).	green (-)
Door sensor - ground signal appears when driver's door is open, passenger's door is open, trunk is open, hood is open.	light blue/yellow (-)

Alternative central lock control - connect with car's monostable switch of central locking switch (see certain car's connection diagram).	blue (-/+)
Emergency lights alternative control - connect to car's emergency turn light switch (see certain car's connection diagram).	grey (-/+)
CAN3-L Connect to third 2-wire CAN bus, CAN-L (see certain car's connection diagram)	purple (-/+)
CAN3-H Connect to third 2-wire CAN bus, CAN-H (see certain car's connection diagram)	purple/white (-/+)
CAN2-L Connect to second 2-wire CAN bus, CAN-L (see certain car's connection diagram)	green (-/+)
CAN2-H Connect to second 2-wire CAN bus, CAN-H (see certain car's connection diagram)	green/white (-/+)
CAN1-L Connect to first 2-wire CAN bus, CAN-L (see certain car's connection diagram)	brown (-/+)
CAN1-H Connect to first 2-wire CAN bus, CAN-H (see certain car's connection diagram)	brown/white (-/+)

Brand and type: **SEO CANsafe**

Version: **21xxxxxx**

year: **17** → rev03